

Innovative World-class Model, Designed for General Purpose Applications

TP-702BP (With Press)

Mercury Transit TP-702BP is a fully automatic strapping machine with compression press for production and packaging lines. It is suitable for 5 mm, 6 mm, 9 mm or 12 mm P.P. strap. TP-702BP is the fastest and most reliable strapping machine for general purpose applications on the market today.



15F-1, NO. 17, SEC. 1, CHENGDE ROAD, TAIPEI 103, TAIWAN
 TEL: 886 2 2555 2515
 FAX: 886 2 2555 2516
 WEB: www.transpakcorp.com
 E-mail: transpak@transpak.com.tw

Made in Taiwan

09.2011x2000

Main Features



With Pneumatic Press

TP-702BP is ideal to strap compressible material such as corrugated papers, paper sheets, plastic sheets, bags...etc.

Other features please refer to TP-702B

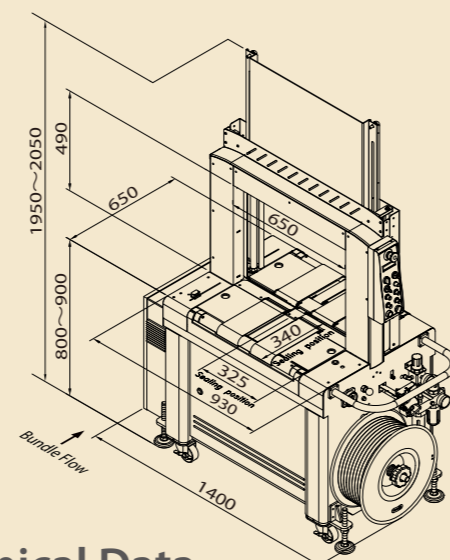
Options

- **Stainless steel frame (TP-702BPS)**

Other options please refer to TP-702B

Arch Sizes

	Width (mm)	Height (mm)
Small	550	500
Standard	650	500
Large	850	600
Extra Large	1050	800



TP-702BP Technical Data

Strap Width	5 mm, 6 mm, 9 mm or 12 mm
Strap Tension	1-32 kg (for 5 mm, 6 mm, and 9 mm) 1-45 kg (for 12mm)
Speed	Up to 36 packages per minute (Cycle speed up to 65 straps per minute)
Net Weight	250 kg
Pneumatic Source	6 bar
Air Consumption	7.5 liter/cycle
Electrical Requirements	110V, 220V, 230V 50/60Hz 1PH 220V, 380V, 400V 50/60Hz 3PH

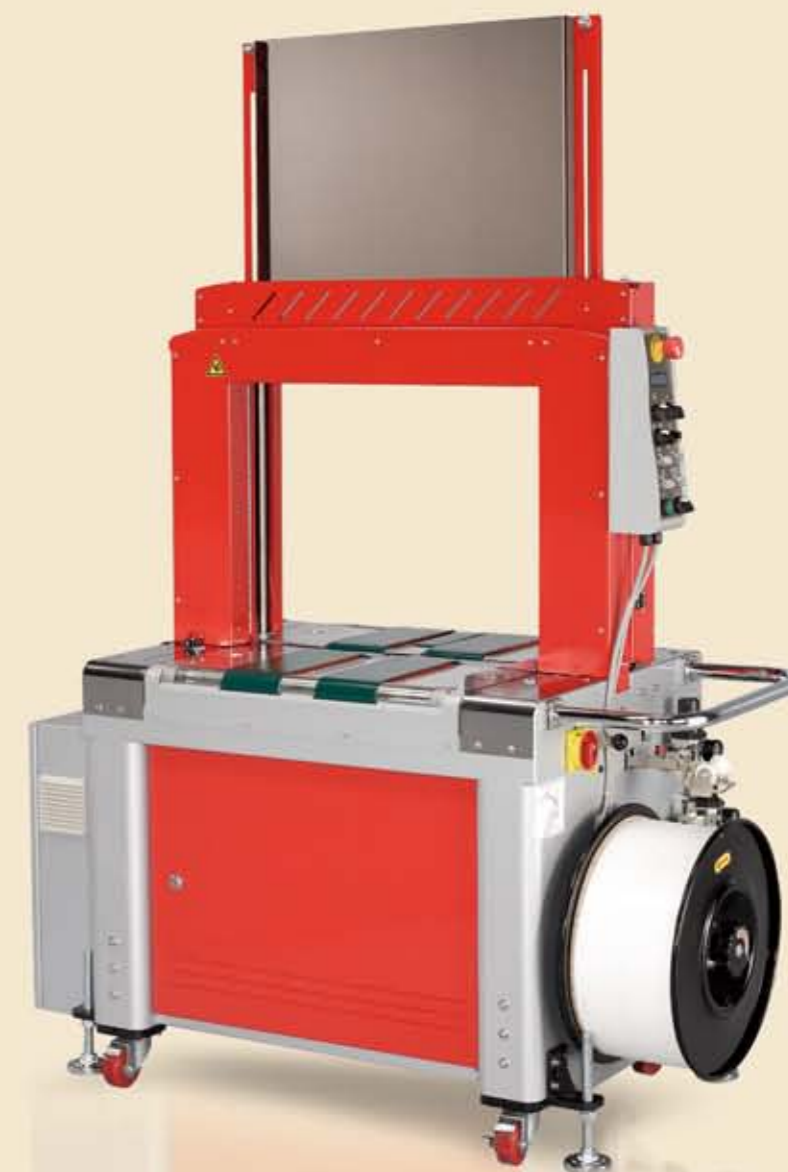


All specifications are subject to change without notice.

TP-702BP

always exceeds your expectations

Speed
65 up to straps per minute



Mercury Transit are world-class high-speed fully automatic strapping machines. These machines offer high reliability and performance and give the best price/performance ratio on the market today. In this category, we have the following models:

- High-speed fully-auto machine with Belt-driven table Mercury Transit TP-702B
- High-speed fully-auto machine with Belt-driven table and compression press Mercury Transit TP-702BP

FULLY-AUTO STRAPPING MACHINE

Mercury Transit

Innovative World-class Model, Designed for General Purpose Applications

TP-702B

always exceeds your expectations

Mercury Transit TP-702B is a fully automatic strapping machine for production and packaging lines. It is suitable for 5 mm, 6 mm, 9 mm or 12 mm P.P. strap. TP-702B is the fastest and most reliable strapping machine for general purpose applications on the market today.



Main Features



Robust & Compact Mechanical Strapping Head

Mercury Transit machines use the latest DC brushless motor technology to provide the highest level of accuracy and reliability on the market. All motors are German-made.

The strapping head has no belts, clutches or pulleys. It is designed with up-to-date technology with few moving parts. With 30% fewer parts, Mercury Transit machines require fewer adjustments, have fewer wear components, and require less maintenance. The simple design of Mercury Transit minimizes the maintenance cost.



Waist-High Auto Strap Feeding

Friendly design to feed the strap automatically from the upper side of the coil without the need to access to the bottom of the machine.



Free Access to Strap Guides (patents registered)

Unblock the guides enabling free and quick access to the strap guides without use of any tools. The most maintenance-friendly design.



Electronic Tension Control

The operating control panel with **LCD display** is located on upper side of the machine for easy access. External adjustment of strap tension by the simple turn of a dial. Easy operation.



Auto Strap Ejector

Loop-eject clears unwanted strap automatically if the machine is accidentally activated without a package. Eliminates downtime.



Hinged Top Plates

Opens wide for quick cleaning, inspection, and maintenance of strapping head, strap feed and tensioning unit.

Options

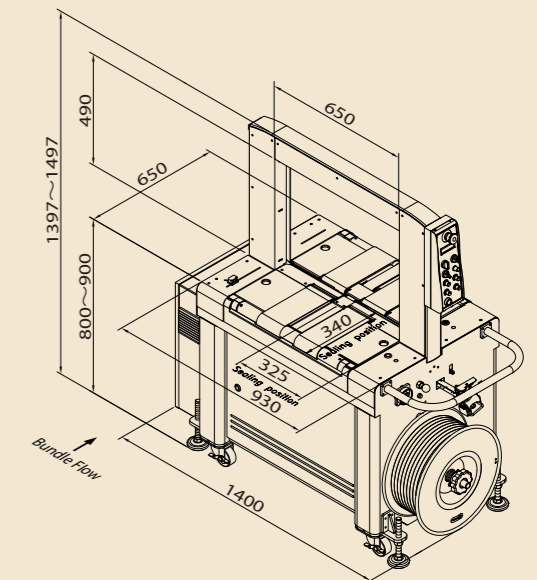
- **Siemens PLC control**
- Operator friendly low strap sensor (triple lamp)
- Energy saving transit with auto sleep mode
- **Strapping in the centre of the bundle**
- Extension belt-driven table of 200 mm on upstream and downstream side
- Lower adjustable table height (750 mm – 900 mm)
- Max. tension up to 45 kg (for 9 mm)
- **Stainless steel frame (TP-702BS)**

More Features

- **Multiple strap function** for single, double, continuous strapping or transit mode
- **Belt-driven table** with variable conveyor speed between 10 and 60 meter/minute
- **Up and down stream interlock** with complete plug connection
- Easy **bundle flow direction change**
- **Quick coil change**
- Good to strap **small package** with minimum size 120 mm in width and 10 mm in height
- **Sensor controlled heater** assuring consistent and high joint efficiency.
- **Automatic end-strap detection and ejection**
- **Adjustable table height** between 800 mm and 900 mm.

Arch Sizes

	Width (mm)	Height (mm)
Small	550	500
Standard	650	500
Large	850	600
Extra Large	1050	800



TP-702B Technical Data

Strap Width	5 mm, 6 mm, 9 mm or 12 mm
Strap Tension	1-32 kg (for 5 mm, 6 mm, and 9 mm) 1-45 kg (for 12 mm)
Speed	Up to 40 packages per minute (Cycle speed up to 65 straps per minute)
Net Weight	225 kg
Electrical Requirements	110V, 220V, 230V 50/60Hz 1PH 220V, 380V, 400V 50/60Hz 3PH